

# Subaru Camber Bolt Instructions

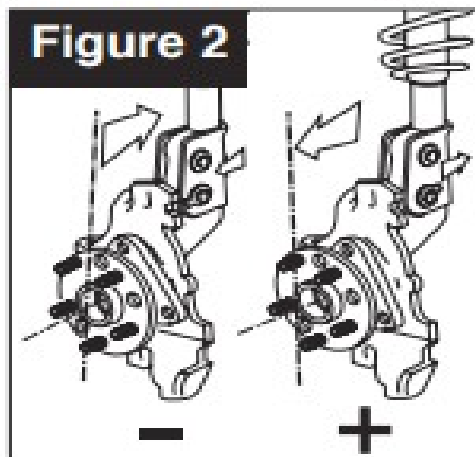
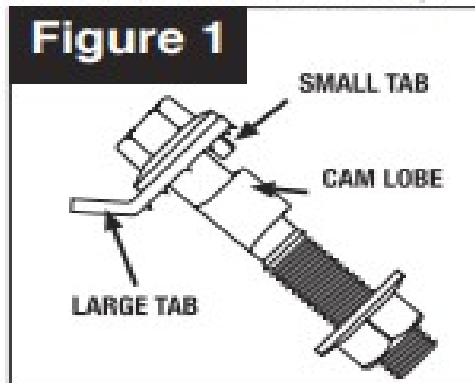
*This part should only be installed by personnel who have the necessary skill, training and tools to do the job correctly and safely. Incorrect installation can result in personal injury, vehicle damage and / or loss of vehicle control.*

1. Take alignment readings and determine amount of camber change needed.
2. Raise vehicle by body pinch welds. Remove tire and wheel assembly.
3. Remove the lower strut-spindle bolt.
5. Line up small tab with cam on bolt. **Install bolt with large tab out toward wheel for negative camber or in away from wheel for positive camber (See Figures 1 and 2).** Install EZCam bolt into strut hole making sure the small tab on the washer is in the hole and the washer is flush on the strut. Add lock nut, snug, but do not tighten.

6. **Loosen the upper strut bolt.**
7. Reinstall tire and wheel assembly and recompensate alignment equipment. Rotate cam bolt to obtain desired camber reading.
8. Torque upper bolt to manufacturer's specification.
9. Torque cam bolt to 97 lb-ft, 132 N·m (**do not over torque**).

**Always check for proper clearance between suspension components and other components of the vehicle.**

10. Complete alignment and road test vehicle.



## Camber Bolt Instruction Video

<https://www.youtube.com/watch?v=ugrwZZbnjn4>